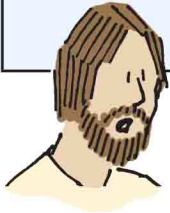


After they ate, Jesus and Peter had an important conversation.

To find out what they said, change each consonant to the next consonant in the alphabet but leave vowels as they are (vowels are A, E, I, O, U). For example, change B to C, C to D, etc. Change Z to B.



S
 RILOM, ROM OD
 HOGM, CO XOU KOTE
 LE LOQE SGAM SGERE?

XOU JMOV SGAS
 I KOTE XOU.

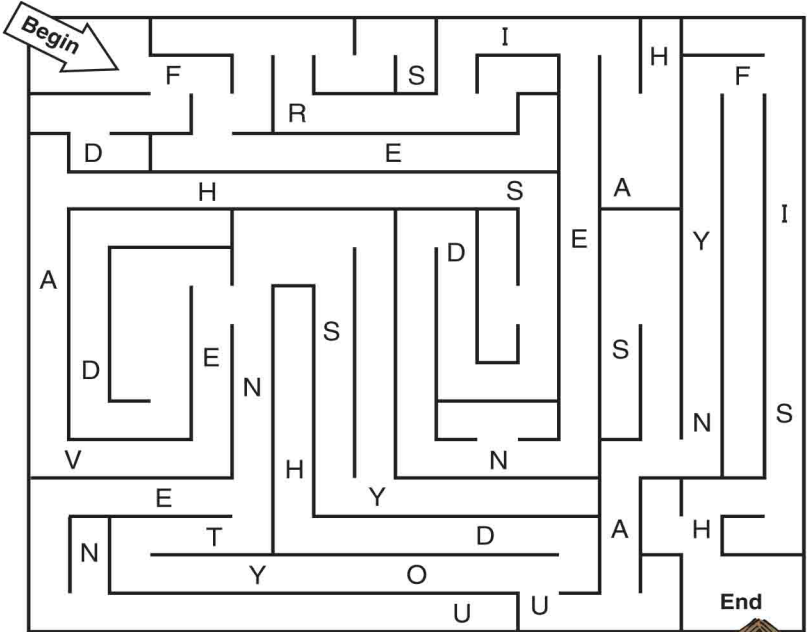


DEEC LX RGEEN.

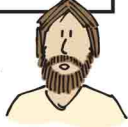
Jesus by the Sea of Tiberias

Jesus appeared to His disciples when they were fishing, but because He stood on the shore, they couldn't recognize Him. Jesus called out to them. What did He ask?

Follow the correct path through the maze to find the letters to fill in the blanks.



“ _____ , _____ , _____ ?”



St. James Lutheran Church

This Children's Worship Bulletin corresponds with the lessons during this Sunday's Worship Service.

Print this weekly bulletin & play the games each week.

Visit our website: www.lutheranchurchcolumbusmt.org

Enter your **SECRET CODE** to unlock games @ games.childrensbulletins.com **SECRET CODE!**
TSGT30

