



What else is the Bible intended for?

Change each letter to the one that comes next in the alphabet (Z goes to A).



“ R N S G Z S Z K K

, F N C R O D N O K D

L Z X A D

S G N Q N T F G K X

D P T H O O D C E N Q

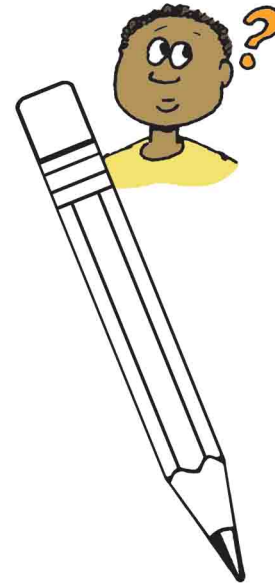
D U D Q X F N N C

V N Q J”

The Bible

The Bible book called 2 Timothy is a letter full of instructions for Timothy.

Solve the Sudoku puzzle, by making sure each row, column and box contains the numbers 1-9. Then unscramble the letters that go with each number to find what Timothy was told to do.



1	LEA	F	6	E	3	5	7	UE
Y	3	4	A	5	2	6	9	V
6	8	5	7	9	TIN	1	2	3
2	4	6	I	7	1	8	O	RN
HA	1	Y	O	4	9	U	6	5
5	O	9	8	3	A	2	4	1
3	5	7	4	2	8	9	1	WH
9	2	S	3	6	N	4	8	7
CON	T	8	ED	1	7	U	5	R

“As 1 2 3 , 4 5”
6 7 8 9

St. James Lutheran Church

This Children's Worship Bulletin corresponds with the lessons during this Sunday's Worship Service.

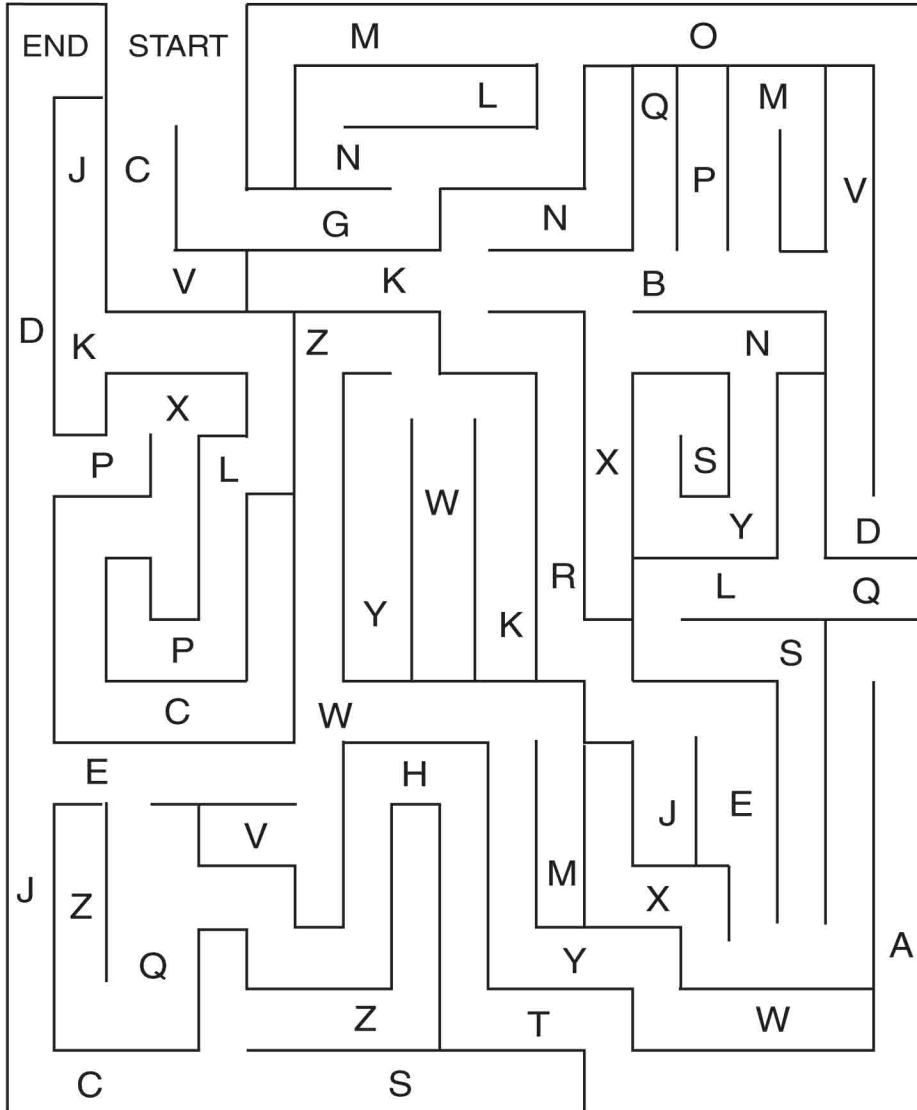
Print this weekly bulletin & play the games each week.

Visit our website: www.lutheranchurchcolumbusmt.org

Enter your **SECRET CODE** to unlock games @ **games.childrensbulletins.com** **SECRET CODE!**
VHRAX0

What does this letter say about the Bible?

Find the correct path through the maze and write down the letters in the correct order to finish the quote.



“All Scripture is _____
_____.”

What else does this letter say
the Bible is useful for?

In each row, cross out (in order) the letters of the word “TIMOTHY”.
The remaining letters will spell out a word.
Transfer them to the lines below.

3. C O R T I R E M C O T T I H N Y G

5. T R I I M G H O T T E O U S H N E Y S S

1. T T I E M A O C T H H I Y N G

4. T T R A I I M N O I T N H G Y

2. R E T B I U K M I O N T G H Y

“ _____ , _____ ,
1 2
_____ and _____
3 4
in _____ .”
5